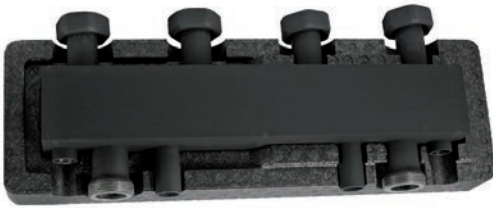


## INSTALLATION SHEET



model	outlets	size (wxhxl) (mm)	Code
2Z-CS	2	545x195x170	3800504
3Z-CS	3	795x195x170	3800505
4Z-CS	4	1045x208x170	3800506

### DESCRIPTION

Distribution manifolds for GM mixing units and/or GR direct supply unit, provided with the hydraulic separator.

Their easy installation helps the arrangement of the boiler room. The unit can be connected directly with the boiler or with the chiller if they are equipped with their own circulation pump.

The manifold consists in a steel body with  $\varnothing 1\frac{1}{2}$  M hydraulic connections on the boiler side and  $1\frac{1}{2}$  F on the system side.

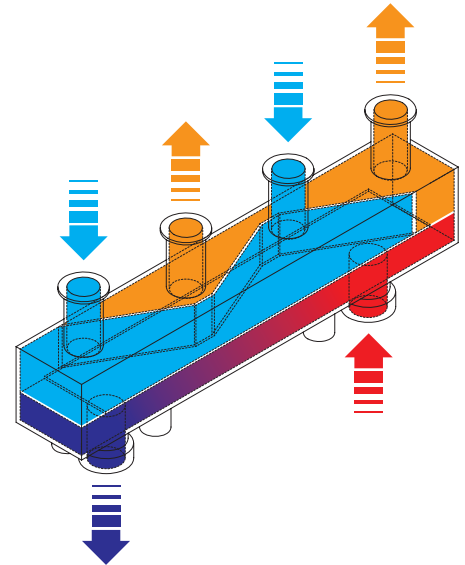
The heat generator is connected to the bottom, whereas 2 hydraulic units can be connected to the secondary circuit on the top through specific adapters. The manifold is equipped with PPE insulating shell to prevent condensation and minimise heat loss.

Brackets and gaskets are supplied as standard.

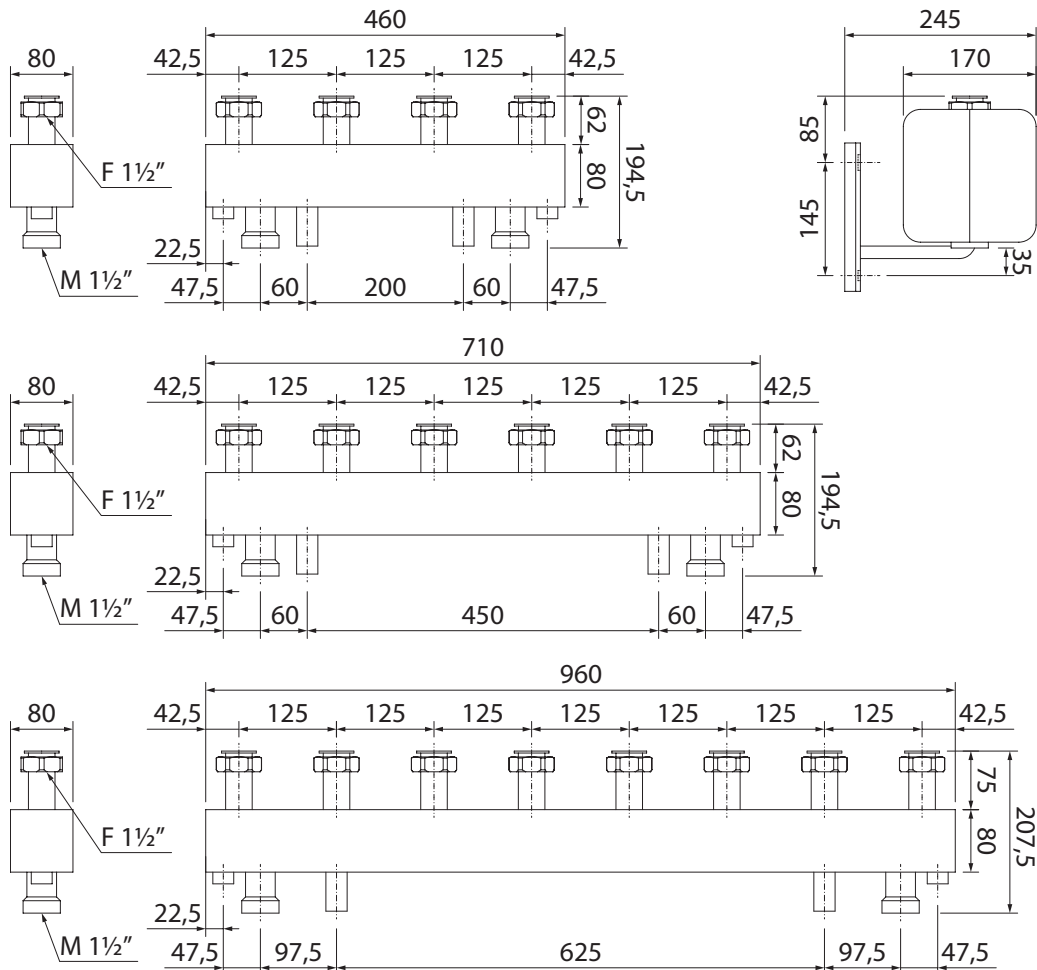
Connection adapters for GM and GR units shall be purchased separately.

- Max water flow-rate: 4500 l/h
- Max power: ( $\Delta T$  15 K): 78 kW.

### OPERATION

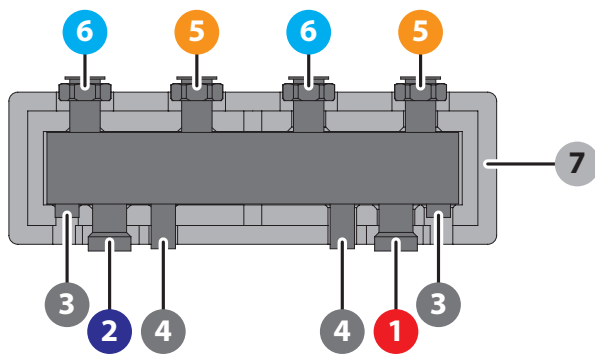


### DIMENSIONS



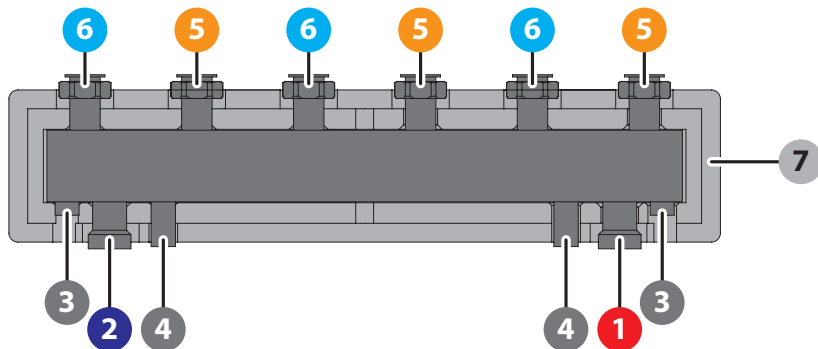
## INSTALLATION SHEET

**2Z-CS**

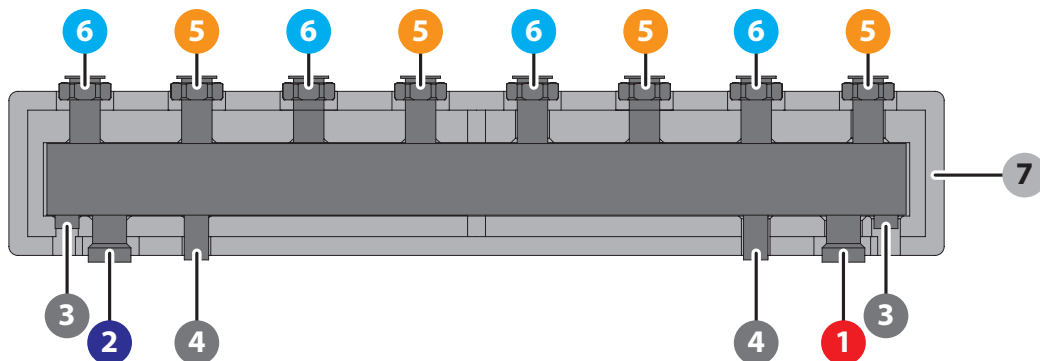


Nr.	Description
1	Water inlet from water production source M 1 1/2"
2	Water outlet to water production source M 1 1/2"
3	Connections for installation of sensors and filling/draining tap F 1/2"
4	Wall mounting plugs
5	System water supply F 1 1/2"
6	System water return F 1 1/2"
7	Insulating shell

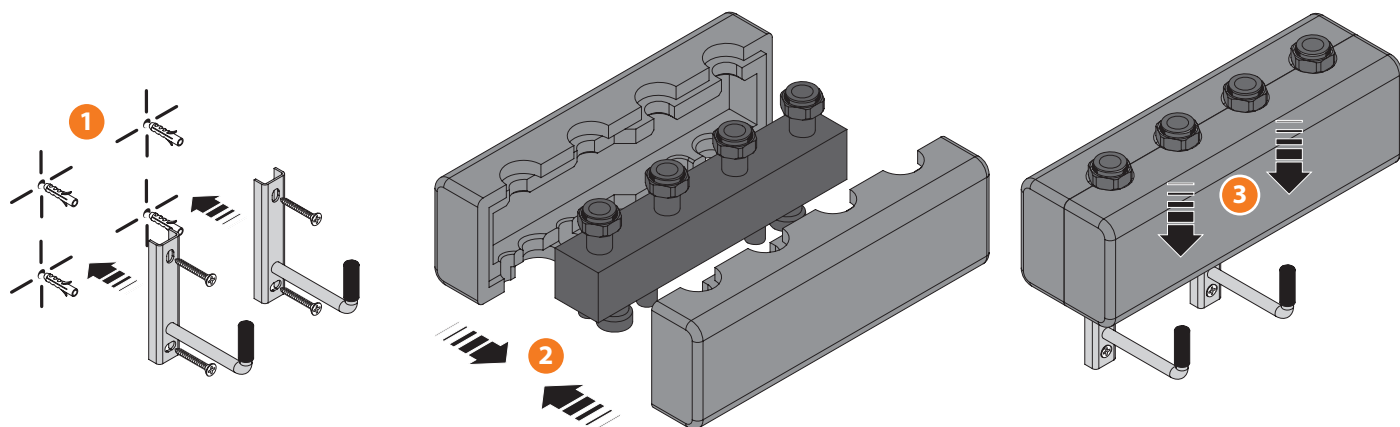
**3Z-CS**



**4Z-CS**



### INSTALLATION



### GENERAL WARNINGS

**CAUTION:** Installation and maintenance must only be carried out by qualified personnel. The hydraulic and electrical systems and the places where the equipment is to be installed must comply with the safety, accident prevention and fire prevention standards in force in the country of use.

